



AUXILIARY LAMP CONTROLLER

USER GUIDE AND INSTRUCTIONS

JULY 2016



CONTENTS

INTRODUCTION	PAGE 1
SPECIFICATION	PAGE 2
INSTALLATION	PAGE 4

CONTACT INFORMATION

CARTEK AUTOMOTIVE ELECTRONICS LTD

Unit 25, Mitchell Point
Ensign Way, Hamble
Southampton
SO31 4RF
UNITED KINGDOM

+44(0)2380 457747

info@cartekmotorsport.com

www.CARTEKMOTORSPORT.com

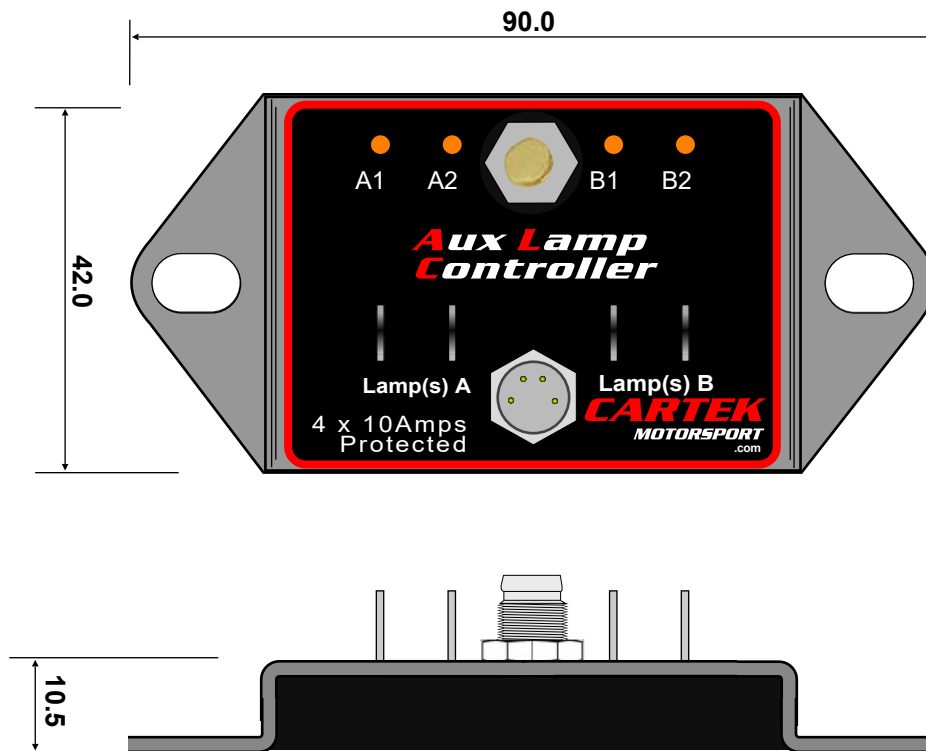
INTRODUCTION



INTRODUCTION

The **Auxiliary Lamp Controller** from **CARTEK** is an application specific version of their solid state **Power Distribution Module (PDM)** with four 10 Amp, +12V outputs. These outputs are configured as two channels (20 Amps each) and controlled by Earth switched input signals. These inputs allow each channel to be turned ON, OFF or FLASH. Applications include GT, endurance, rally and kit cars.

SPECIFICATION



Size:	L = 90mm, W = 42mm.
Weight:	80g.
Positive Power terminal:	M6 stud.
Channel Output connections	6.3mm Male Spade Terminals
Electrical Connector:	Binder
Connection Cable (supplied):	Binder 79 3384 42 04 (2m long)
Operational Voltage:	7v - 18v
Outputs:	10A - 12A (continuous), 18A (2 seconds) each channel. Maximum total 40A.
Current consumption:	0.02A (No Load)
Operating temperature:	-10°C - +85°C.
Storage temperature:	-40°C - +125°C



WARNING

- Please read through the Instructions thoroughly before installing on your race car.
- The Aux Lamp Controller must be removed if any electric welding is being carried out on the car.

**MOTORSPORT IS DANGEROUS.
THIS PRODUCT IS DESIGNED FOR MOTORSPORT USE ONLY AND SHOULD NOT
BE USED ON ROAD/STREET VEHICLES OR ON PUBLIC HIGHWAYS.
NO WARRANTY IS MADE OR IMPLIED REGARDING ANY CARTEK PRODUCTS TO
PROTECT USERS FROM INJURY OR DEATH.
USER ASSUMES ALL RISKS.**

INSTALLATION

When mounting the Aux Lamp Controller, electrical contact must be made between the vehicle's chassis/earth and the metal case of the Aux Lamp Controller at one of its mounting points.

+12v Power Input is supplied to the Aux Lamp Controller via the M6 electrical stud. (Tighten to 15Nm, 10LbFt)

Power Output connections are made using 6.3mm (1/4") spade terminals.

Each channel is turned ON by connecting the corresponding channel signal wire to chassis/earth. Connection can be made using any type of low current switch. When used with **CARTEK** dedicated switch panels then these also incorporate LEDs to display channel status:

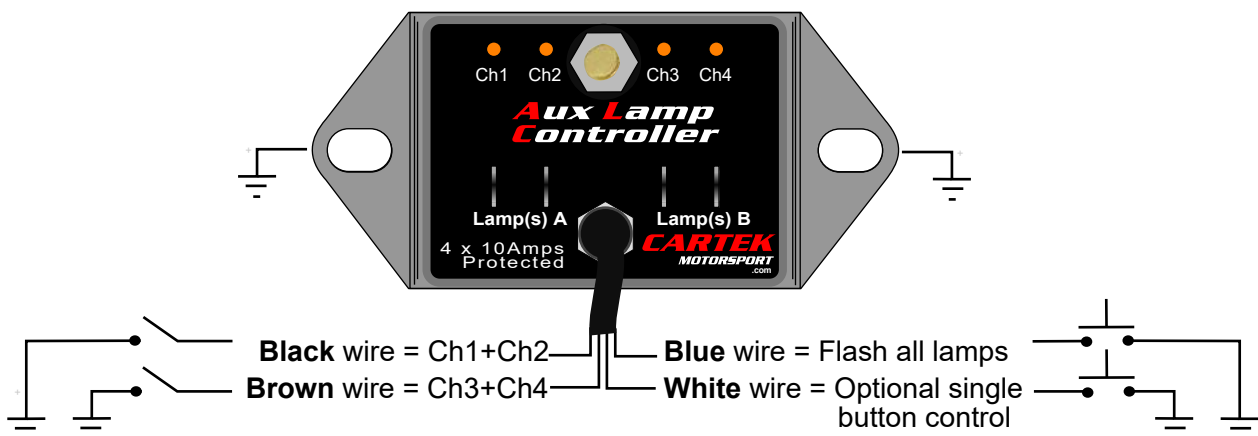
LED off = Channel OFF

LED on = Channel ON

Flashing = Over-current or short-circuit error

When short-circuit or over-current is detected, the Aux Lamp Controller will shut down that channel and the corresponding LED on the module will begin to flash.

Once the fault is rectified then the channel will need to be switched OFF then ON again to clear the error.



Auxiliary Lamp Control

Black wire ON/OFF control of Ch1 + Ch2 (Lamps A). Earthed = ON, open-circuit = OFF.

Brown wire ON/OFF control of Ch3 + Ch4 (Lamps B). Earthed = ON, open-circuit = OFF.

Blue wire Flash all channels, (minimum 5 flashes). Earth to activate, momentary action.

White wire Optional. Using an earthed switched, momentary action pushbutton will allow toggling between Ch1/Ch2 (Lamps A) & Ch3/Ch4 (Lamps B). Holding switch closed for 1 second will turn all channels off.