



POWER DISTRIBUTION MODULE

USER GUIDE AND INSTRUCTIONS

JULY 2016



CONTENTS

INTRODUCTION	PAGE 1
SPECIFICATION	PAGE 2
INSTALLATION	PAGE 3

CONTACT INFORMATION

CARTEK AUTOMOTIVE ELECTRONICS LTD

Unit 25, Mitchell Point
Ensign Way, Hamble
Southampton
SO31 4RF
UNITED KINGDOM

+44(0)2380 457747

info@cartekmotorsport.com

www.CARTEKMOTORSPORT.com

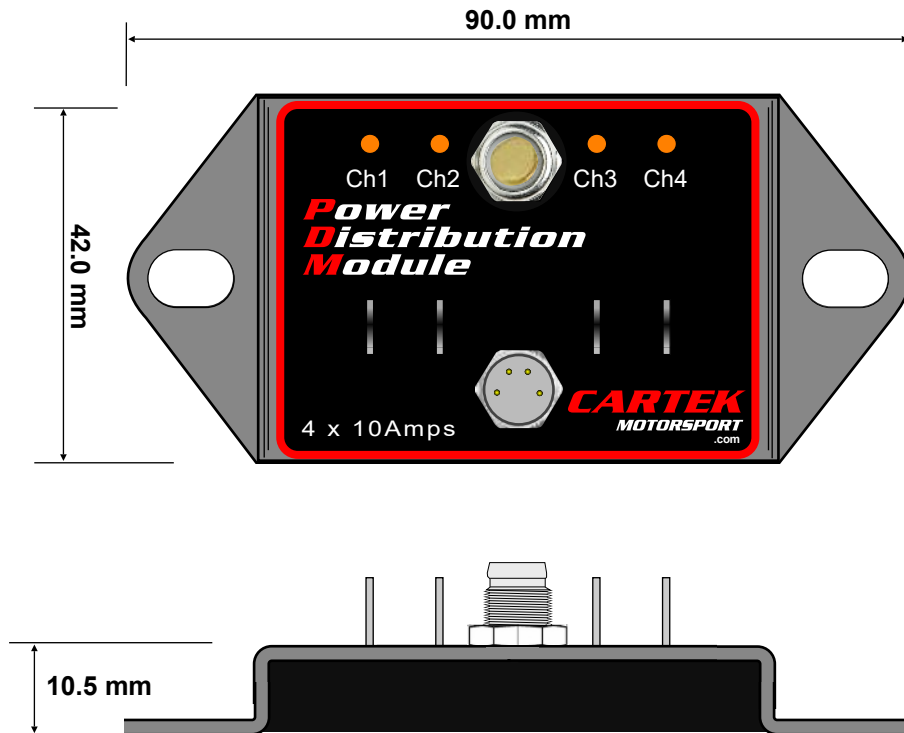
INTRODUCTION



INTRODUCTION

This 4 channel Power Distribution Module (PDM) from **CARTEK** is fully electronic and designed to replace 4 relays and 4 circuit breakers in one, small, lightweight, fully sealed unit. Each channel can output 10 Amps and are fully protected against short-circuit and over current with LED status indication.

SPECIFICATION



Size:	L = 90mm, W = 42mm.
Weight:	80g.
Positive Power terminal:	M6 stud.
Channel Output connections	6.3mm Male Spade Terminals
Electrical Connector:	Binder
Connection Cable supplied:	Binder 79 3384 42 04 (2 meter long)
Operational Voltage:	7v - 18v
Outputs:	10A - 12A (continuous), 18A (3 seconds) each channel. Maximum total 40A.
Current consumption:	0.02A (No Load)
Operating temperature:	-10°C - +85°C.
Storage temperature:	-40°C - +125°C



WARNING

- Please read through the Instructions thoroughly before installing on to your race car.
- The Power Distribution Module must be removed if any electric welding is being carried out on the car.

**MOTORSPORT IS DANGEROUS.
THIS PRODUCT IS DESIGNED FOR MOTORSPORT USE ONLY AND SHOULD NOT
BE USED ON ROAD/STREET VEHICLES OR ON PUBLIC HIGHWAYS.
NO WARRANTY IS MADE OR IMPLIED REGARDING ANY CARTEK PRODUCTS TO
PROTECT USERS FROM INJURY OR DEATH.
USER ASSUMES ALL RISKS.**

INSTALLATION

When mounting the PDM, electrical contact must be made between the vehicle's chassis/earth and the metal case of the PDM at its mounting points.

+12v Power Input is supplied to the Aux Lamp Controller via the M6 electrical stud. (Tighten to 15Nm, 10LbFt)

Power Output connections are made using 6.3mm (1/4") spade terminals.

Each channel is turned ON by connecting the corresponding channel signal wire to chassis/earth. Connection can be made using dashboard switches, oil pressure switches, thermo-switches, etc. When a **CARTEK** pushbutton switch, with integrated LED, is used then the LED will also display the channel status:

LED off = Channel OFF

LED on = Channel ON

Flashing = ERROR

When short-circuit or over current is detected, the PDM will shut down that channel and the corresponding LED will begin to flash. To reset the error, switch the channel OFF then ON again.

